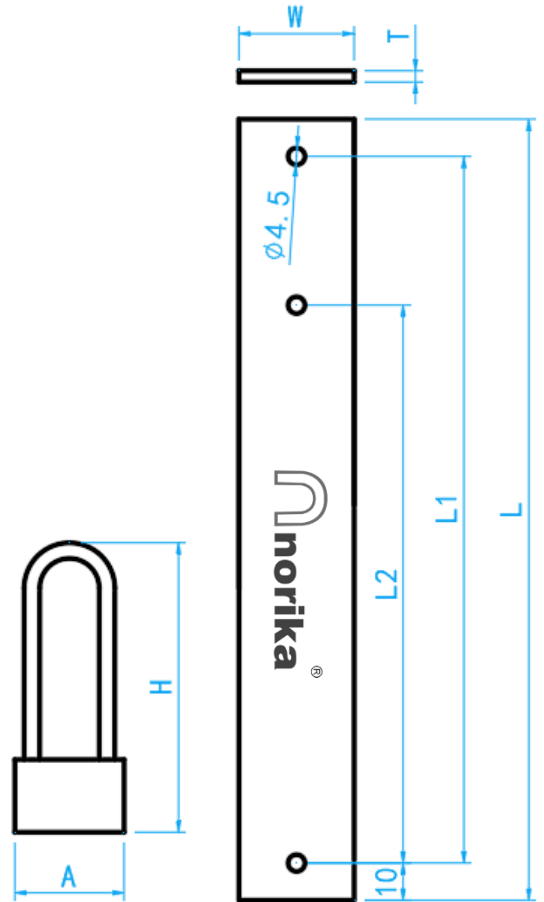
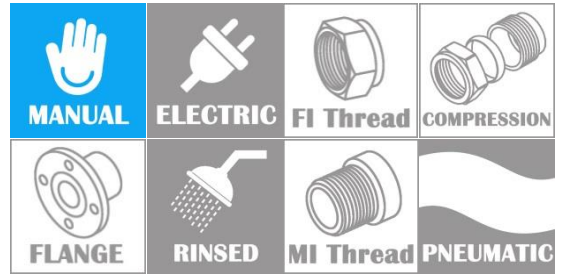


LV NYLON STRAP C/W KEY-A LOCKED PAD LOCK



SIDE VIEW

COMPONENT PARTS

MATERIAL	Canvas Multilayer& BRASS
----------	--------------------------

DIMENSIONS

SKU	L (mm)	W (mm)	T (mm)	L1 (mm)	L2 (mm)	A (mm)	H (mm)	WEIGHT (kg)	PCS/CTN
FSL750	750	31	3	730	580	29.4	77.8	0.160	100